

REV. SH DWG. NO. 65-4720-01

APPLICATION		REVISIONS			
NEXT ASSY	USED ON	REV.	DESCRIPTION	DATE	APPROVED
		F	RETYPED, ORIGINAL LOST	10/14/87	

SPECIFICATION

- 1.0 FILTER TYPE: TUNABLE BAND REJECT
- 2.0 TUNING RANGE: 250-500 MHz
- 3.0 PASSBAND CHARACTERISTICS
  - 3.1 > 1.5 VSWR MHz BANDWIDTH 30 MHz MAX.
  - 3.2 PASSBAND INSERTION LOSS 1.0 dB MAX.
  - 3.3 1dB BANDWIDTH: 10 MHz NOMINAL
- 4.0 ATTENUATION CHARACTERISTICS
  - 4.1 ULTIMATE ATTENUATION 40 dB MIN.
  - 4.2 40 dB BANDWIDTH 20 KHz MIN.
- 5.0 IMPEDANCE: 50 OHMS NOMINAL
- 6.0 DIAL CALIBRATION
  - 6.1 TYPE: FREQUENCY
  - 6.2 ERROR: + 1% MAX.
- 7.0 CONNECTORS TYPE "N" FEMALE
- 8.0 FINISH: BLUE LACQUER

UNLESS OTHERWISE SPECIFIED DIMENSIONS ARE IN INCHES TOLERANCES ARE: FRACTIONS DECIMALS ANGLES ± .XX ± ± ± .XXX ±	CONTRACT NO.		 TELONIC/BERKELEY Laguna Beach, California Tel. 714 494-9401			
	APPROVALS	DATE				
MATERIAL	DRAWN <i>MS</i>	10-14-87	SPECIFICATION DRAWING TTR375-3EE			
FINISH	CHECKED <i>CAE</i>	10-14-87				
DO NOT SCALE DRAWING	ISSUED		SIZE <b>A</b>	FSCM NO.	DWG. NO. 65-4720-01	REV. F
			SCALE	SHEET 1 OF 3		

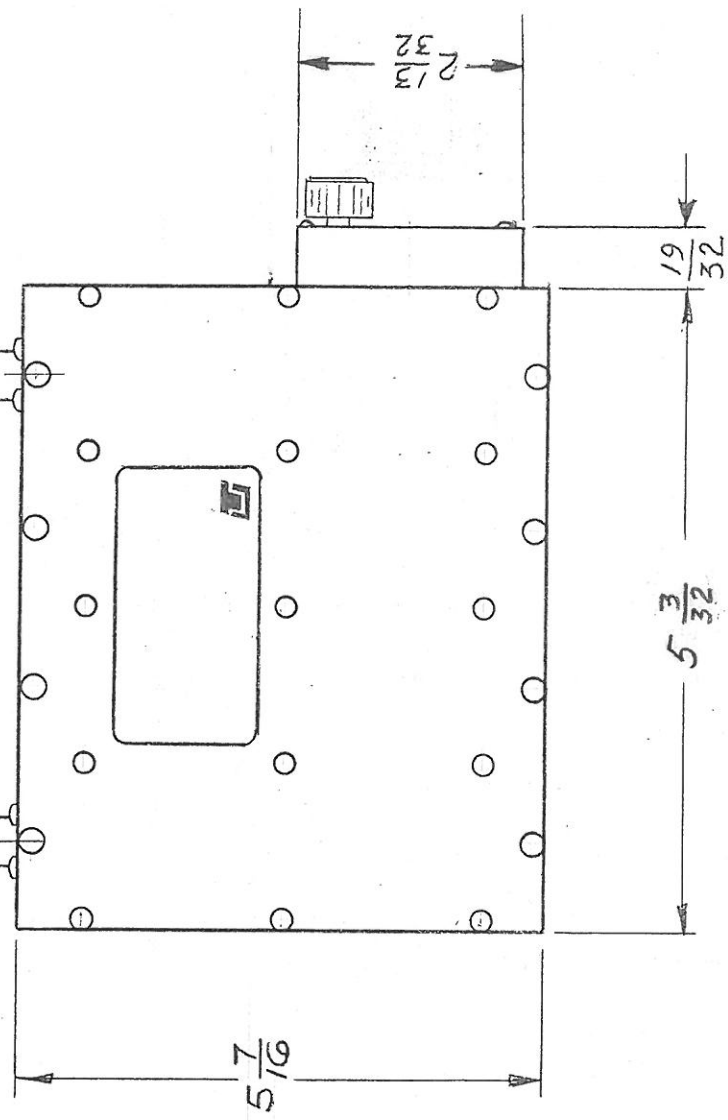
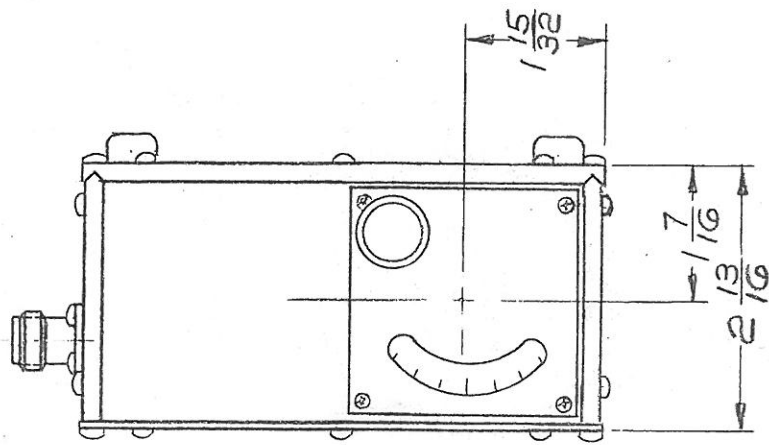


65-4720-01

'N' FEMALE, TYR

INPUT

OUTPUT



FINISH: BLUE LACQUER COLOR 2552G FED. STD. 595

TOLERANCES		LET	REVISION	DATE
FRACT.	± 1/64			
.XX	± .01			
.XXX	± .005			
ANG.	± 1°			
DR				
CHK	<i>D. Crowley</i>			8/7/75
ENGR	<i>[Signature]</i>			8/7/75
APVD				
TITLE SPECIFICATION DRAWING				
TTR 375-3EE				
SH	3 OF 3	SIZE	DWG NO	REV
REL		A	65-4720-01	F

**TELONIC/BERKELEY** S. INC.  
 21282 Laguna Canyon Road • Box 277  
 Laguna Beach, California 92652  
 Tel. 714 494-9401 • TWX: 910 596-1320




07-6017-01

SEE SH 2-075

A-ECN 8437  
 B-ECN 8408  
 C-ECN 9195  
 D-ECN 9524  
 E-RELOCATE  
 LINE BORE  
 F-ECN F017  
 G-ECN 8567  
 H-ECN 8735

APVD	BY	CHK	ENG
	GS	7-6-76	
	DATE	4/2/75	



**TELONIC INDUSTRIES, INC.**  
 21282 Laguna Canyon Road • Box 277  
 Laguna Beach, California 92652  
 Tel: 714 434-9401 • TWX: 910 596-1320

**PARTS LIST**

TTR 375-3EE ASSEMBLY

SH 1 OF 5  
 REL  
 SIZE DWG NO  
 A 65-4721-01  
 REV

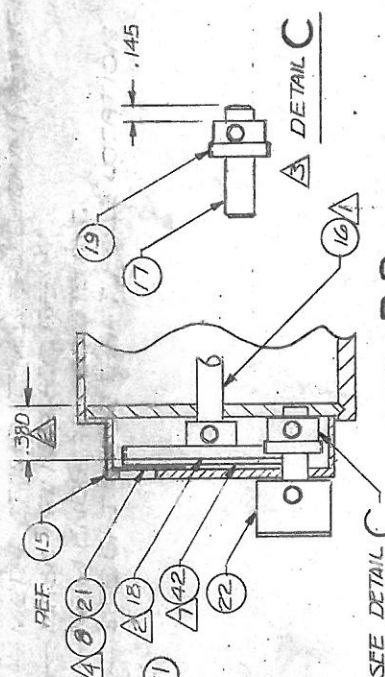
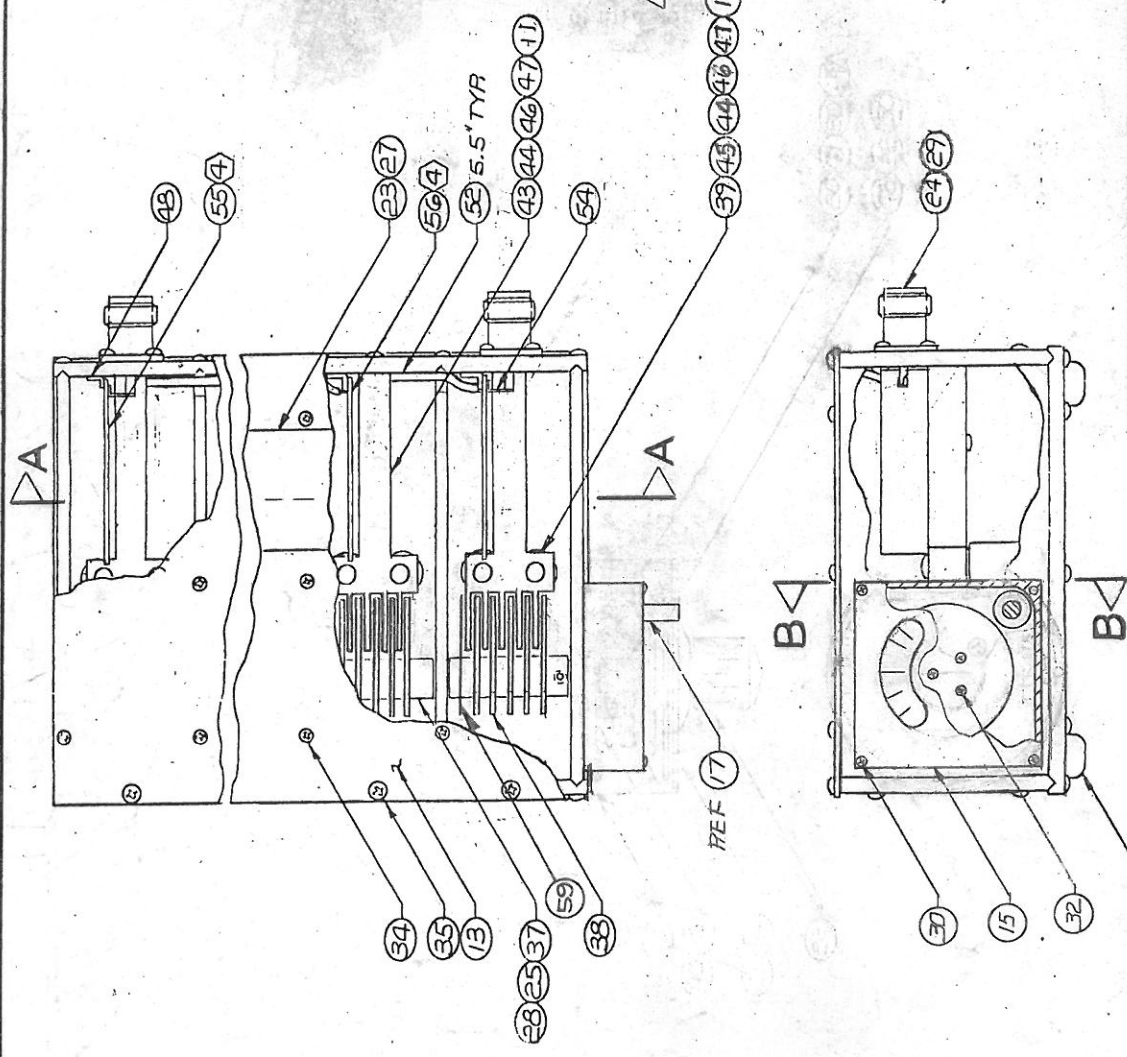
ITEM	PART NUMBER	QTY	DESCRIPTION	CKT REF
1				
2	96-5012-01	1	Plate Bottom	F/FG4-3644-02
3				
4	64-3646-02	1	Plate Side	
5	96-5489-02	1	Plate Connector	F/FG4-3647-0P
6				
7	96-5878-01	1	Plate Front	F/FG4-3648-02
8	01-0219-01	A/R	Contact Cement	
9	96-5481-02	2	Partition MOD.	F/FG4-3648-02
10	64-3648-02	1	Partition Back	
11	02-7002-05	34	2-56 x 5/16 BHMS	
12	02-7004-05	6	4-40 x 5/16 BHMS	
13	64-3645-02	1	Plate Top	
14				
15	66-3396-01	1	Gear Housing	
16	63-1354-15	1	Shaft	
17	63-1354-32	1	Shaft	
18	96-5869-01	1	Gear Mod.	F/F66-3390-02
19	66-3390-01	1	Gear	
20				
21	66-3388-01	1	Window	
22	09-0491-02	1	Knob	
23	11-0352-01	1	Nameplate	
24	44-0650-01	2	Connector	
25	63-0980-01	AR	Tension Washer	
26	63-1394-01	4	Rubber Bumper	
27				
28	02-7911-01	6	6-32 x 1/8 Soc. Set Scr.	
29	02-7004-04	12	4-40 x 1/4 BHMS	
30	02-7004-12	4	4-40 x 3/4 PHMS	
31	02-7004-07	4	4-40 x 7/16 PHMS	
32	02-7102-02	3	2-56 x 1/6 PHMS	
33				
34	02-7002-03	12	2-56 x 3/16 PHMS	
35	02-7004-03	8	4-40 x 3/16 BHMS	
36				
37	66-3758-01	3	Rotor Hub	
38	63-0207-01	15	Rotor Blade	
39	96-5725-02	3	Stator	F/F66-2465-02
40				
41				
42	66-3387-01	1	Dial Blank	
43				
44	63-1397-01	6	Porc. Standoff	
45	03-1042-01	12	#6 Flat Washer	
46	02-7006-08	6	6-32 x 1/2 BHMS	
47	02-7006-12	6	6-32 x 3/4 BHMS	
48	66-2280-01	3	BRACKET	
49				
50				
51				
52	43-0095-01	AR	RG.188A/U Cable (P.C.F.)	
53	03-1523-01	2	#4 Hex Nut	
54	64-2024-02	AR	STRAP	
55	66-2291-01	2	P.C. BOARD	
56	66-2292-01	1	P.C. BOARD	
57	03-1033-01	2	#4 LOCKWASHER	
58	43-0043-01	A/R	#22 GA. BUSS WIRE	
59	66-2443-01	3	BENDABLE BLADE	
60				

65-4721-01



NOTES: UNLESS OTHERWISE SPECIFIED:

- 1. ITEM 16 MUST BE FLUSH WITH BACK PARTITION ITEM 10.
- 2. INSERT ITEM 18 TO ITEM 16 & SET AT DIM SHOWN THEN TIGHTEN UP.
- 3. ASSEMBLE ITEMS 17 & 19 TO DIM SHOWN. THEN TIGHTEN UP BEFORE INSTALLING IT INTO HOUSING.
- 4. THE CUT GRINDS OF ITEM 21 MUST BE LINED WITH & PINCH DOTS OF ITEM 15. USE ITEM 8 FOR BONDING & ALLOW 1/2 HR TO DRY.
- 5. MASK ALL CORNERS, GROOVES, RUBBER BUMBERS & GEAR HOUSING FOR PAINTING.
- 6. PLACE ITEM 23 APPROX. WHERE SHOWN USING ITEM 22 CALIBRATE & FINISH ITEM 42 TO .000 LINES EACH & 25 MPH. 100 LINES EACH & 5 MHZ; 100 HIGH NOS. EACH 50 MPH.
- 7. WHEN TUNING MAKE SURE NO PART OF BENDABLE BLADE IS CLOSER THAN .020 TO STATOR.
- 8. TRIM ENDS AS SHOWN TO FIT.
- 9. SEE SHT. 3 FOR SHAFT HOLE LOCATION.
- 10. SEE SHT. 4 FOR SECTION A-A.



SECTION B-B

LET	REVISION	DATE
P	ECN 8931	7-19-85
N	ECN 8929	5-15-85
M	ECN 8924	3-28-85
L	REVISD PER ECN 8758	2-7-85
K	REVISD PER ECN 8758	1-9-89
J	REVISD PER ECN 8743	7-25-88

TITLE	SIZE	DWG NO	REV
ASS'Y: TTR 375-3EE	B	65-4721-01	R

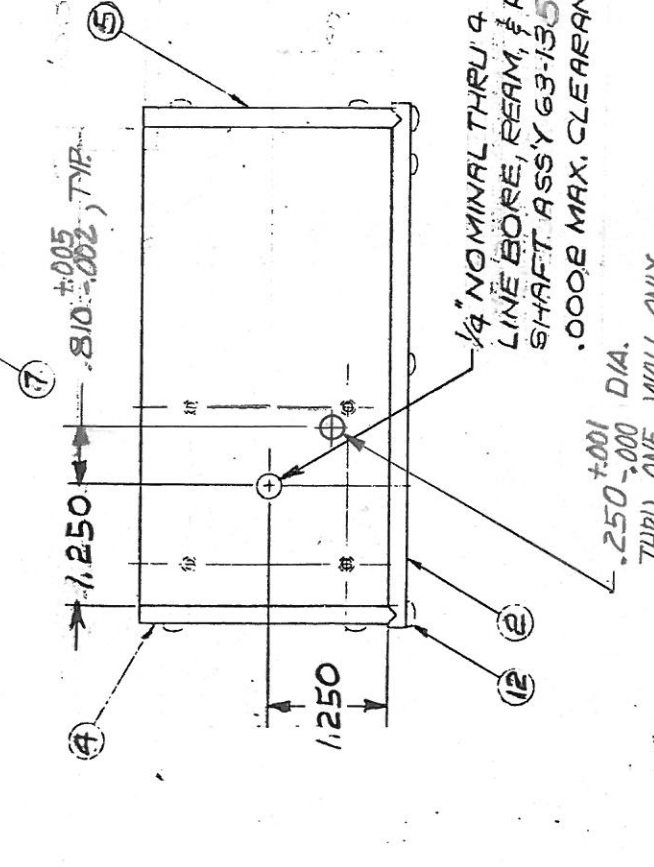
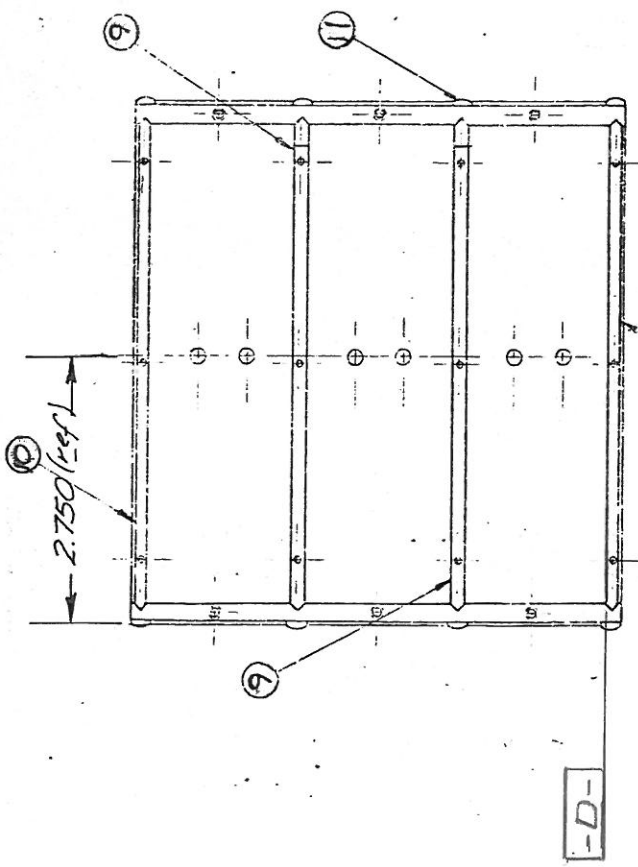
DR	CHK	ENGR	APVD	NAME	DATE
				D. McGLONE	7/27/89
				CAC	1/27/89

**Telonic Air**  
 2825 Laguna Canyon Road • Box 277  
 Laguna Beach, California 92652  
 Tel: 714 494-9401 • FAX 910 596-1320

TOLERANCES  
 FRACT. ± 1/64  
 .XX ± .01  
 .XXX ± .005  
 ANG. ± 1°

65-4721-01

NOTES:  
 1. -- BORE SHAFT HOLE PER CALLOUT  
 2. -- THIS HOLE TO BE DRILLED @  
 SHAFTHING OPERATION.



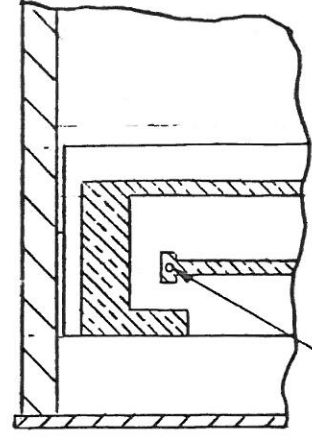
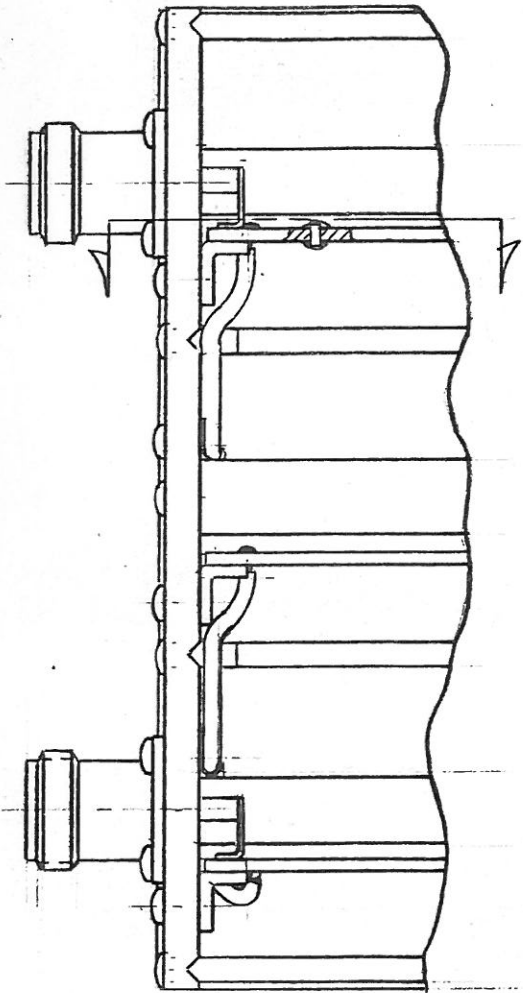
1/4" NOMINAL THRU 4 WALLS  
 LINE BORE, BEAM, & FIT TO  
 SHAFT ASSY 63-1354-15 FOR  
 .0008 MAX. CLEARANCE

.250 <sup>+001</sup>/<sub>-000</sub> DIA.  
 THRU ONE WALL ONLY  
 1-D-0.002

QTY	PART NO	DESCRIPTION	MATERIAL	FINISH / WD. N. I.	MO. 1
1	ASSY DASH NO	NONREPLICABLE			
1	NAME	Telnic ENGINEERING CO			
1	DR	JACKSON BEACH, CALIF.			
1	CHK	DIVISION OF TITANIC INDUSTRIES INC			
1	ENGR	TOLUANCES			
	SCALE	1" = 1"			
	DATE	SEE I. 305			
	REV	1			
	DESIGNED BY				
	DR				
	CHK				
	ENGR				
	ASSY	ASSY 375-3			
	TTR	TTR 375-3			
	REV				
	DESIGNED BY				
	DR				
	CHK				
	ENGR				

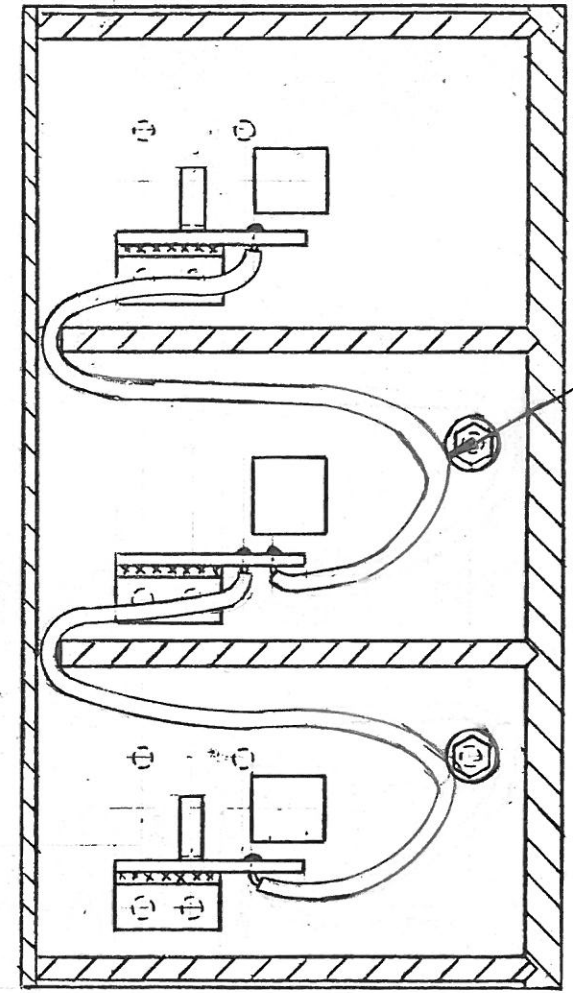
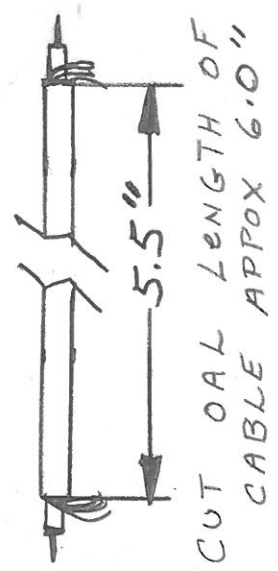
65-4721-01

65-4721-01




BUSS WIRE THRU BOARD & SOLDERED, TYP. 3 PLCS. (ITEM 58)

NOTES: UNLESS OTHERWISE SPECIFIED  
1. CABLES AFTER SOLDERING SHOULD BE 5.5 INCHES.



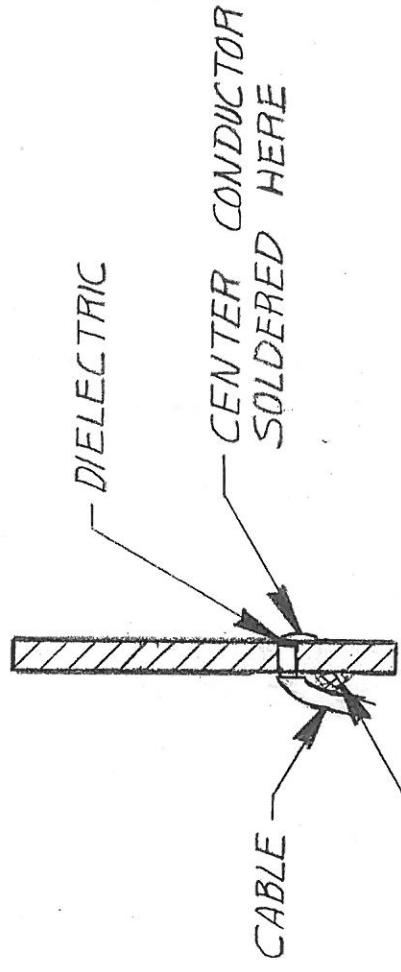
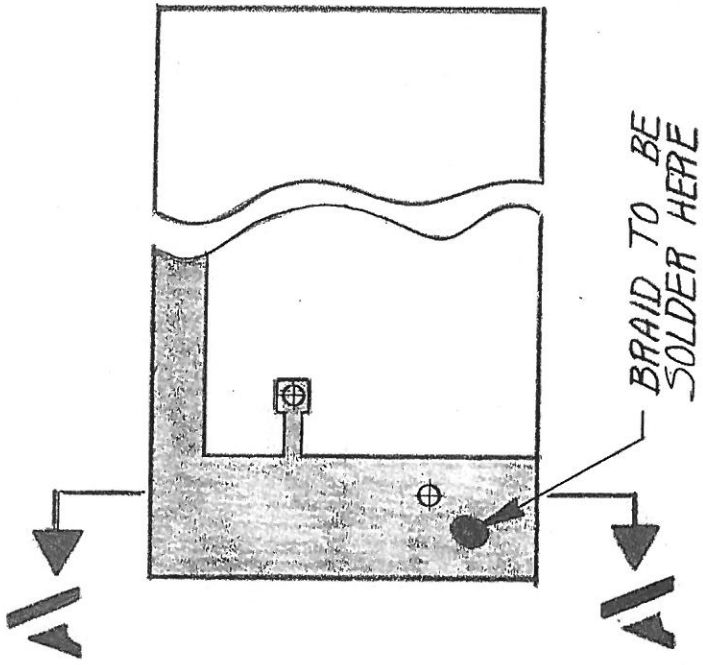
LET	REVISION	DATE
TITLE	ASSY	
SH 4 OF 5	SIZE	DWG NO
REL	A	65-4721-01
		REV
		R

TOLERANCES	NAME	DATE
FRACT. ± 1/64	<i>P. D. [Signature]</i>	6/29/76
.XX ± .01	<i>E. [Signature]</i>	7-6-76
.XXX ± .005		
ANG. ± 1°	<i>J. [Signature]</i>	7-7-76
 <b>TelonicAltair</b> 2825 Laguna Canyon Road • Box 277 Laguna Beach, California 92652 Tel. 714.494-9401 • TWX 910.596-1320		
07-6017-01	BISHOP GRAPHICS/ACCPRESS REORDER NO. A-4362	

65-4721-01

REVISIONS

REV.	DESCRIPTION	DATE	APPROVED



BRAID TO BE SOLDERED HERE SECTION A-A

NOTES: UNLESS OTHERWISE SPECIFIED

- 1. DIELECTRIC TO BE FLUSH WITH BOARD.
- 2. CENTER CONDUCTOR SHORT AS POSSIBLE.

<b>TOLERANCES</b> FRACT. $\pm 1/64$ .XX $\pm .01$ .XXX $\pm .005$ ANG. $\pm 1^\circ$		NAME N. LANG	DATE 5-1988	TITLE ASSY. TTA 375-3EE	REV R
DR CHK ENGR APVD	LT	SIZE 5 OF 5	DWG NO A 65-4721-01	SH	REL

**TELONIC/BERKELEY**  
 Laguna Beach, California  
 Tel. 714 494-9401